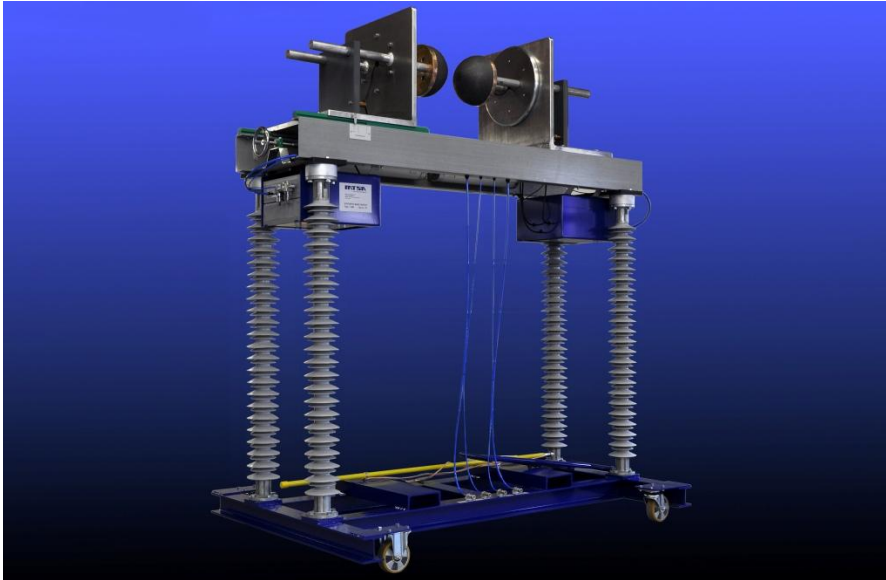


MTSA Technopower Synthetic Make Switch

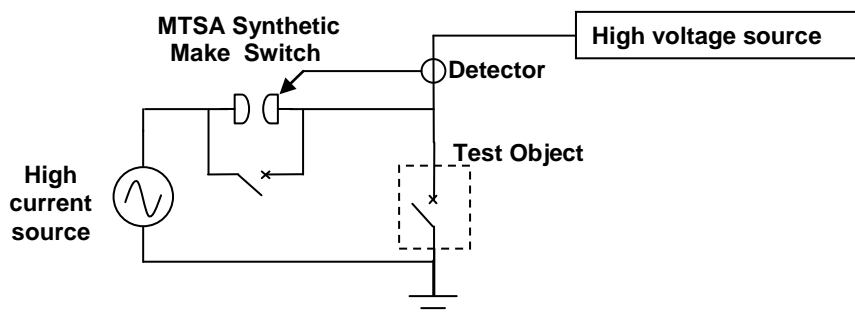


Extending the voltage test range while using high current in short circuit tests is possible by using a Synthetic Testing Circuit. This is based on two sources – one provides high current at relatively low voltage and the other high voltage at low current. The MTSA Synthetic Make Switch is used to connect the high current source to the test object.

The MTSA Synthetic Make Switch is installed on a mobile self-supporting frame and consists of the following components:

1. triggered air gap
 2. two high energy gap firing units
 3. two capacitors/resistors to control the voltage of gaps in series
 4. detector unit (Separate mounted)
- MTSA Synthetic Make Switches can be used up to 250 kV. For higher voltage levels multiple units can be put in series.
 - MTSA Synthetic Make Switches can be used as main gap up to 250 kV.
 - MTSA Synthetic Make Switches have a long life and can be used many times interference free in short circuit tests.

For more information, please contact MTSA Technopower, department E&I (tel direct: +31 (0)26 3844 282).



MTSA Technopower B.V.
Westervoortsedijk 67
6827 AT Arnhem
The Netherlands

Telephone : +31 (0)26 3636310
Telefax : +31 (0)26 3646717
E-mail : mail@mtsa.nl
Internet : www.mtsa.nl